



LYNN COVE

NV1

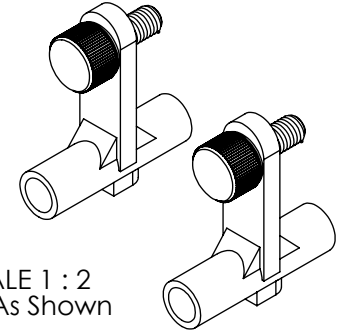
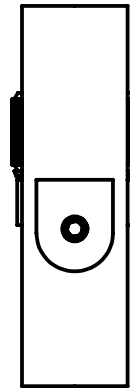
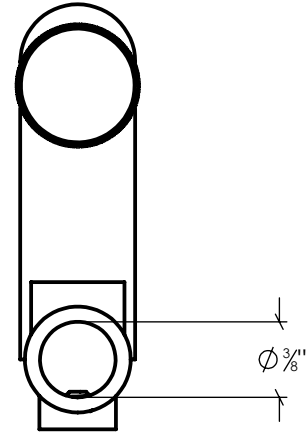
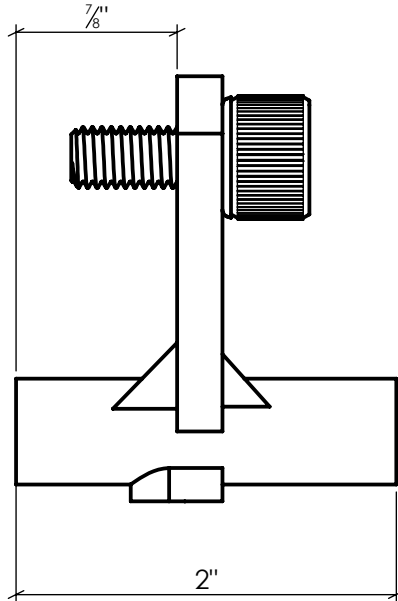
Anti-Vibration Bracket
ABS Plastic, UV Stabilized / 304 SS, As Moulded

Info@LynnCove.com

(800) 975-7089

SCALE: 1:1

Do not scale drawing. All dimensions are nominal (+/- 1/8") and for reference only. Specifications and dimensions are subject to change without notice. 11/29/2016



SCALE 1 : 2
Sold As Shown